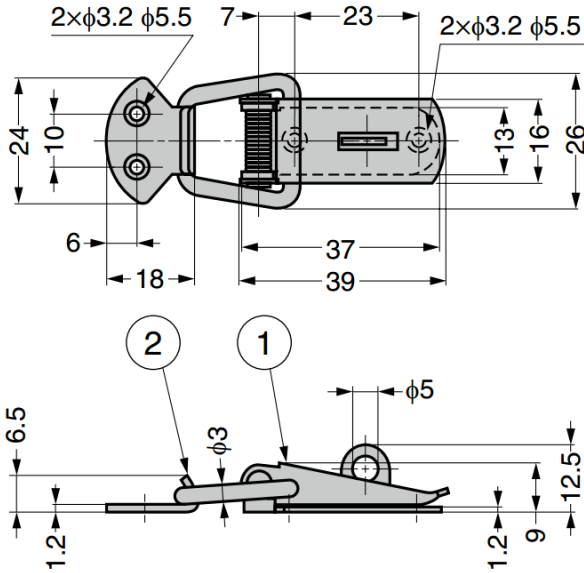


GP11 Steel Spring Loaded Draw Latch

Features

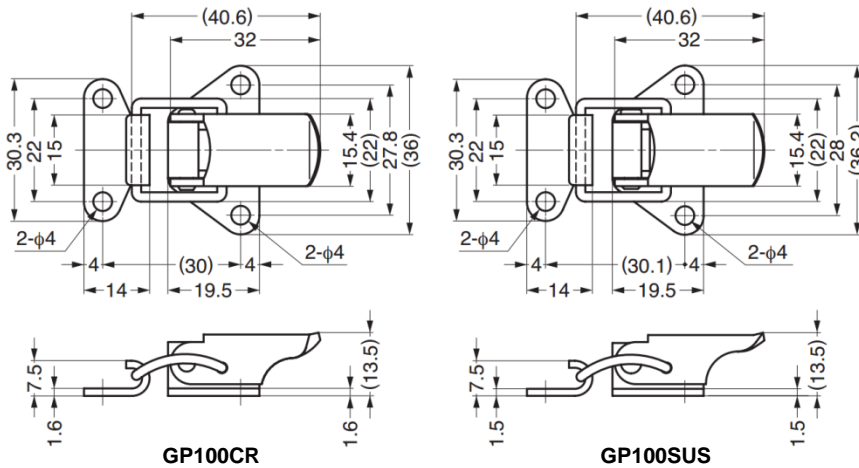
- Spring loaded to hold lever in retracted position
- Can be used with padlock



Part No.
GP11

No.	Part Name	Material	Finish
①	Body	Steel (SPCC)	Nickel
②	Counter Plate		

GP100 Spring Loaded Draw Latch



Part No.	Material	Finish
GP100SUS	Stainless Steel 304	Barrel Polished
GP100CR	Steel	Chrome